

BASIC INFORMATION ABOUT THE PRODUCT



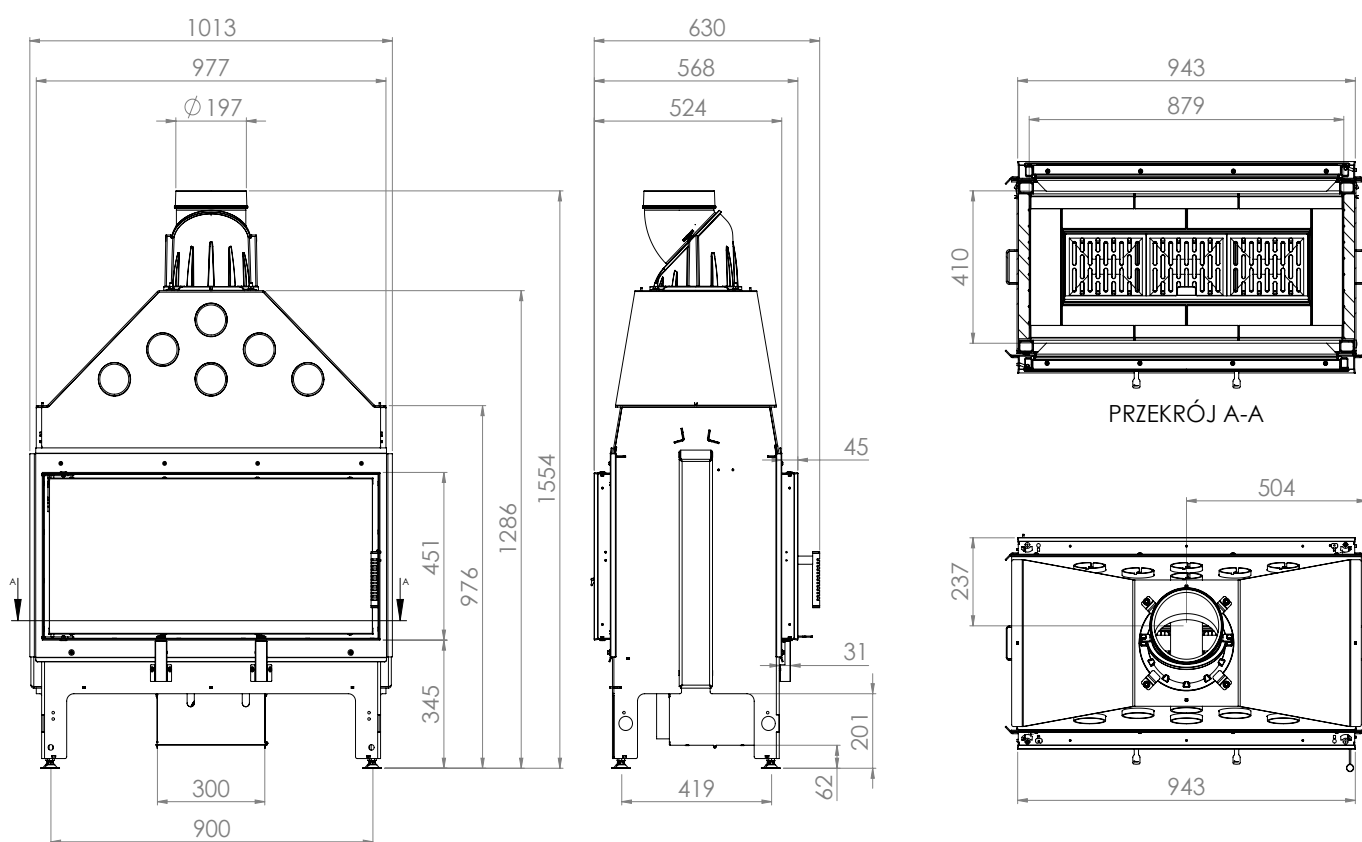
- Tunnel type insert for double-sided or island construction.
- Insert with an enlarged, deep rectangular combustion chamber enabling large loads.
- Tilttable cast iron grate for easy cleaning of the fireplace.
- Two heat-resistant decorative DECOR glasses as standard (operating temperature up to 800°)
- Possibility to order dedicated covers (steel powder coated in the color of the insert).
- Clean glass system: double-sided air deflectors with air curtains.
- Steel doors made of a special profile ensuring stiffness and resistance to high temperatures.
- The insert elements are produced using modern CNC devices (2D, 3D laser, press brakes).
- The insert jacket is made of P265GH boiler steel according to EN 10028-2.

Nominal power [kW]	18
Heating load range [kW]	9-23
Thermal efficiency [%]	79
CO emissions (at 13% O ₂) [g/m ³]	0,035
Pollen emission [g/m ³]	0,584
Average fuel consumption [kg/h]	5,3
Recommended dimensions of outlet grilles	1260-1440
Recommended dimensions of inlet grilles	720-1170
Glass dimensions [mm]	903x410
Flue diameter [mm]	198
Inlet diameter [mm]	123
Weight [kg]	294
Efficiency factor	105,6



ARDENTE DUO

90x41.DSS



ARDENTE DUO

90x41.DSS