

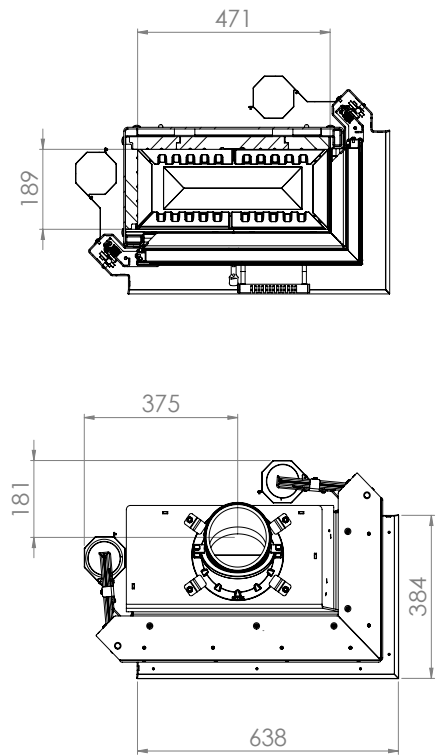
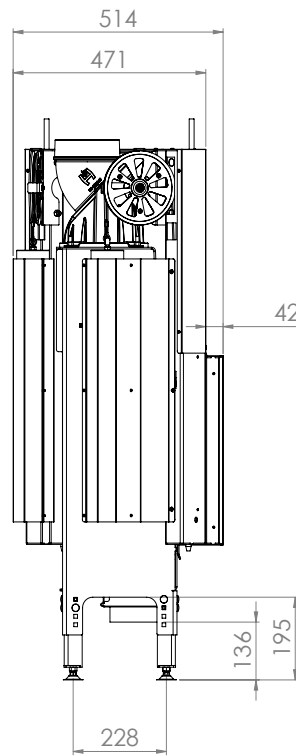
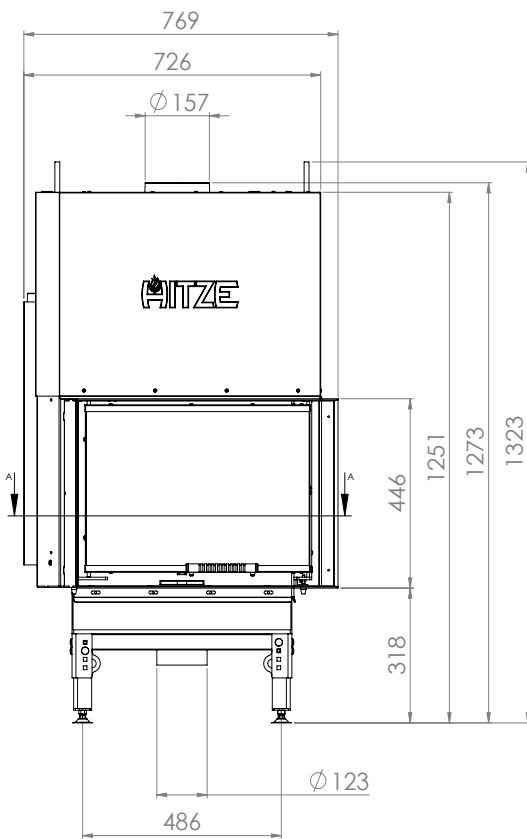
BASIC INFORMATION ABOUT THE PRODUCT



- The depth of the inserts is only 35 cm, so they are recommended for shallow space-saving installation.
- Double height adjustment of the feet (infinite and stepwise up to +14 cm) and 360° adjustable cast-iron chimney.
- Grateless hearth for cleaning with an ash extractor. Inserts available with guillotine type door.
- Inserts made from high-grade P265GH boiler steel, which is distinguished by its resistance to continuous operation at elevated temperatures. Reinforced door profile. New guillotine mechanism with service access.
- Production is carried out using modern machinery: welding robots, press brakes, laser cutting machines.
- They comply with stringent emission standards and the ECODSIGN Directive, thanks to the use of a flue gas afterburning system and two deflectors (steel and ceramic).
- DEKOR glass as standard.
- The innovative ventilated handle protects against burns.
- Built-in four-stage throttle

Nominal power [kW]	11,2
Heating load range [kW]	5,5-14
Thermal efficiency [%]	75
CO emission (by13% O ₂) [g/m ³]	0,037
Dust emission [g/m ³]	0,507
Average fuel consumption [kg/h]	3,3
Recommended active area of outlet grids [cm ²]	770-880
Recommended active area of inlet grids [cm ²]	440-720
Dimensions of the glass [mm]	543x390
Flue diameter [mm]	157
Inlet diameter [mm]	123
Weight [kg]	195
Efficiency factor	99,8





HST
54x39.RG