

BASIC PRODUCT INFORMATION



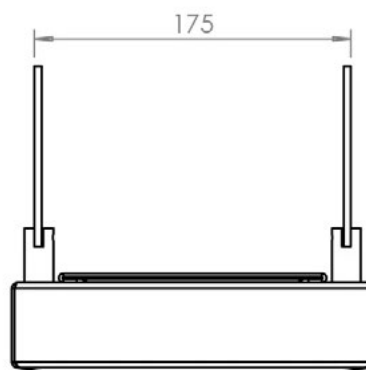
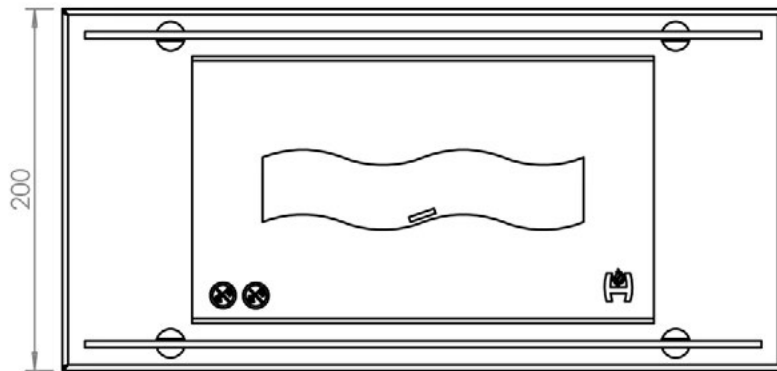
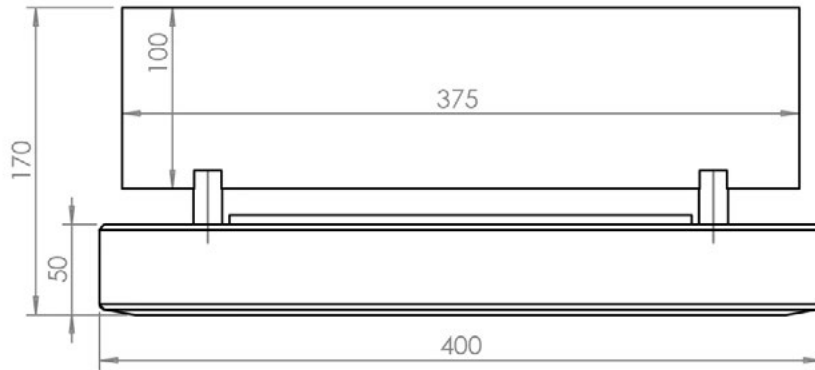
Type of fuel	Bioethanol
Maximum capacity of bioreactor (l)	0,6
Fuel consumption (l/h)	0,23
Construction material	P265GH acc. to EN 10028-2
Surface finish	High-temperature fireplace paint
Weight (kg)	4,2
Dimensions width x height x depth (mm)	400x170x200

CALYPSO biofireplace is a modern and stylish free-standing fireplace powered by bioethanol, which is able to introduce an amazing atmosphere anywhere in the room where it is installed. Due to its sturdy construction, the CALYPSO biofireplace is suitable for installation both on the floor and on tables or countertops. Thanks to the use of a classic combination of steel painted with black fireplace paint, transparent heat-resistant ceramics and raw stainless steel, the CALYPSO freestanding biofireplace will successfully fit into both modern and slightly more rustic rooms. The compact and stylish design of the bio-fireplace and the wave-shaped burner provide an amazing vision of the fire accessible from all sides of the device. CALYPSO is equipped with an original bio-fuel container, equipped with an adjustable shutter thanks to which it is possible to regulate the intensity of its flame. The cover of the bio-fireplace has been marked with clear pictograms, influencing the safety of the bio-fireplace use. Together with the bio-fireplace, the user receives a dedicated shutter holder, thanks to which it is possible to extinguish the appliance immediately. The biofireplace itself is equipped with an absorbent insert which protects the bio-fireplace from fuel spillage in case the appliance is inadvertently tilted.



CENA

calypso



CALYPSO