

BASIC PRODUCT INFORMATION

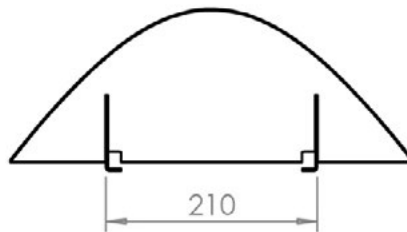
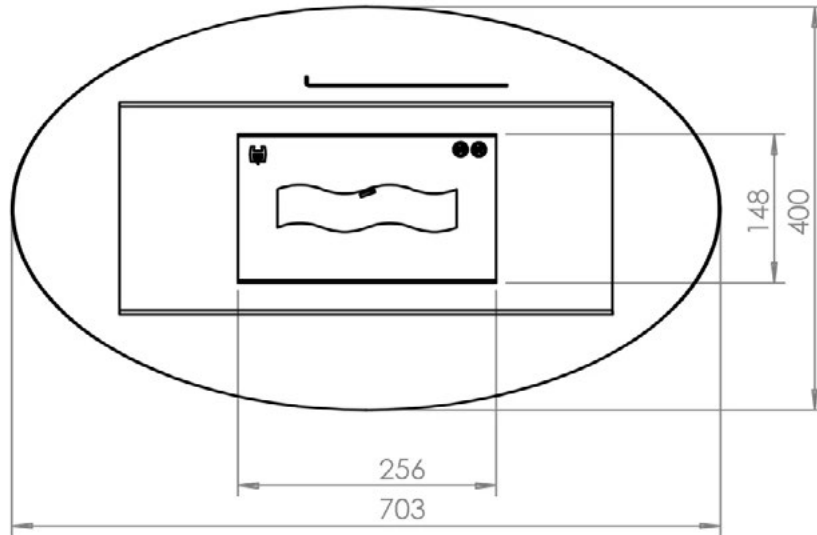
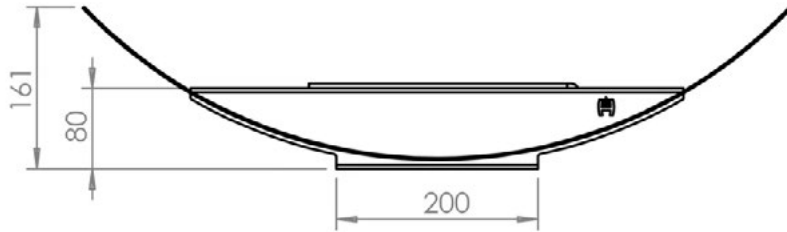


Type of fuel	Bioethanol
Maximum capacity of bioreactor (l)	0,6
Fuel consumption (l/h)	0,23
Construction material	P265GH acc. to EN 10028-2
Surface finish	High-temperature fireplace paint
Weight (kg)	7,5
Dimensions width x height x depth (mm)	700x162x400

Biofireplace RAVE is a modern and stylish free-standing fireplace powered by bioethanol, which is able to bring an amazing atmosphere anywhere in the room where it is installed. Due to its stable construction, the RAVE biofireplace is suitable for installation both on the floor and on tables or countertops. Free-standing biofireplace RAVE is characterised by unconventional design, which makes it fit perfectly into modern interiors.

The compact and stylish design of the bio-fireplace and the wave-shaped burner provide an amazing vision of the fire, accessible from all sides of the appliance. Biofireplace RAVE is equipped with its own biocontainer, equipped with an adjustable shutter, thanks to which it is possible to regulate the intensity of its flame. The cover of the biofireplace has been marked with clear pictograms, affecting the safety of use. Together with the bio-fireplace, the user receives a dedicated shutter holder, thanks to which it is possible to extinguish the appliance immediately. The bio-fireplace itself is equipped with an absorbent insert which protects the bio-fireplace from fuel spillage in case the appliance is inadvertently tilted.





RAVE