

BASIC PRODUCT INFORMATION



Type of fuel	Bioethanol
Maximum capacity of bioreactor (l)	1
Fuel consumption (l/h)	0,25
Construction material	P265GH acc. to EN 10028-2
Surface finish	High-temperature fireplace paint
Weight (kg)	13,6
Dimensions width x height x depth (mm)	800x400x125

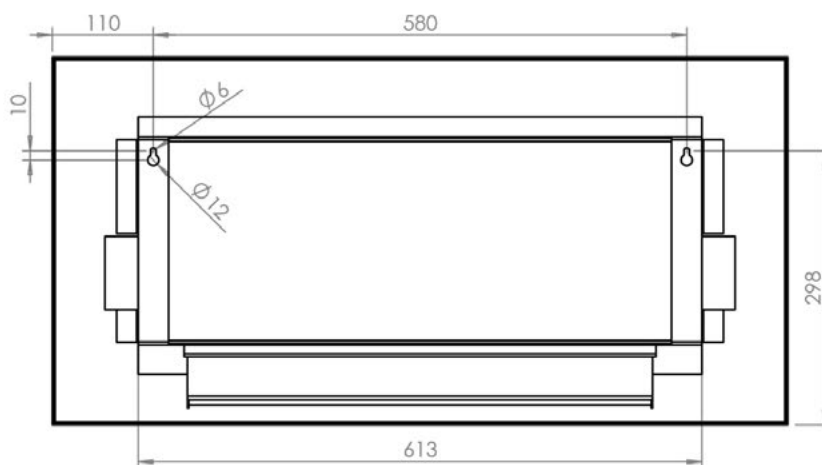
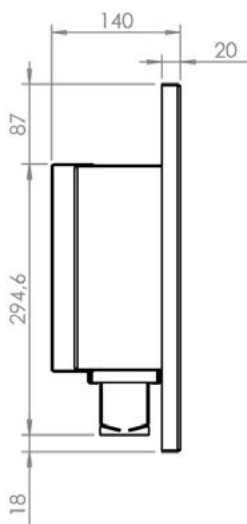
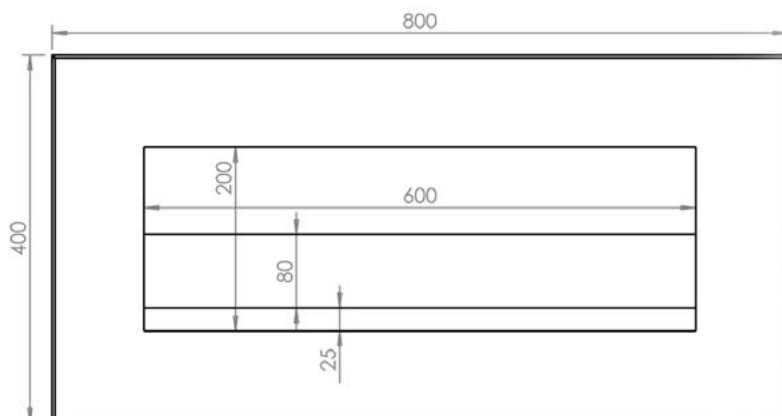
Biofireplace SWING is an elegant appliance capable of bringing an amazing atmosphere into any room. Due to its construction, SWING is designed to be installed in a dedicated wall niche. This type of solution is very popular, because the device installed in this way is even more reminiscent of a traditional wood-burning fireplace.

Biofireplace SWING, has a minimalist, rectangular shape that makes it easy to create a dedicated wall niche. Along the outer edges of the body there is an additional flange that is able to mask imperfections of the wall in which the appliance is built.



PRICE

swing



SWING